

AT1200 TOW



Features & Benefits

AT TOW AT1200 TOW



AT1200 TOW

AT TOW

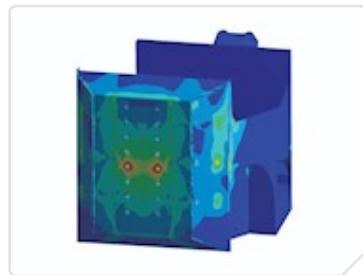
AT1200 TOW ES is designed for towing loads where weight transfer is not possible up to 12,000 kg.

Battery



- Interchangeable
- Maintenance-free
- Battery monitoring system

Strong



- FEA tested steel chassis
- Impact resistant headset
- Zinc coated steel couplings

Powerful



- Optional switchable steering mode
- Up to 12,000 kg load capacity
- 2x 2kW drive motor

Safety



- Anti-crush button.
- Automatic tiller cut off
- Emergency stop button

Traction



- Self-weighted
- Optimised size, puncture-proof wheels
- Controlled start acceleration

Technical data

AT TOW AT1200 TOW

Identification

Recommended load weight- Castors	12000 kg
Recommended load weight- Rails	48000 kg
Machine weight including battery	1350 kg
Drive type	Electric AC
Drive motor power	2 x 2.0 kW
Drive wheel type	Superelastic Solid Rubber
Parking brake	Electromagnetic
Operating voltage	24
Braking	Regenerative
Castor wheel type	Polyurethane
Controller type	AC
Variable machine speed	0-6kph
Noise level	≤80 dBA
Metal work finish	Powder coat paint & zinc plated
IP rating for the machine	IP42
Operating temperature range	-15 to 40 °C

Optional extras

Option - flashing safety light and motion bleeper
Option - two speed selector switch
Option - fifth wheel
Option - battery protection system - AT800 TOW
Option - wireless control handset

Male coupling

Coupling - male - height adjustable tow ball - 50mm
Coupling - male - height adjustable box
Coupling - male - adjustable towing arm
Coupling - male - pin

Female coupling

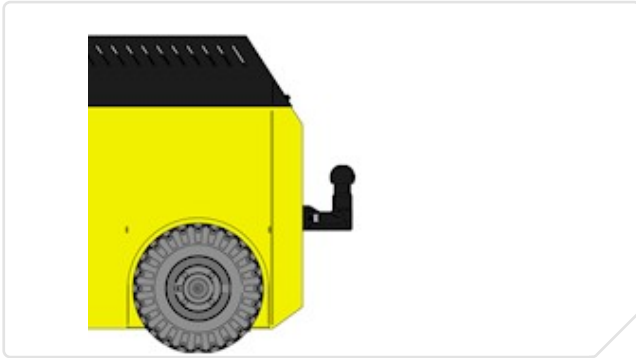
Coupling - female - box

Coupling options

AT TOW AT1200 TOW

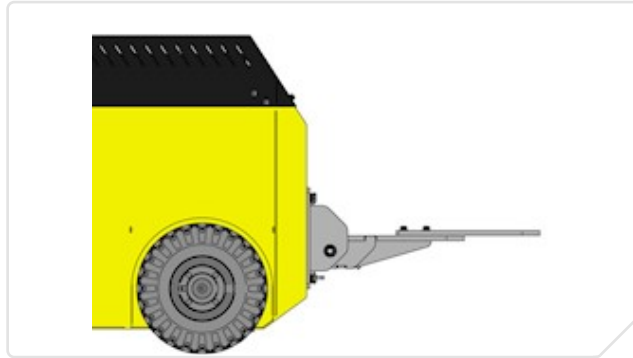
Z48-00601

Coupling - male - height adjustable tow ball - 50mm



Z48-00603

Coupling - male - adjustable towing arm



Z47-00604

Coupling - male - pin



Z48-00700

Coupling - female - box



Find out **more**

Contact us today to find out which electric tug from MasterMover can help to improve efficiency and safety in your workplace.

For sales and support please contact:

SELS s.r.o.

K AMP 2025/2b
66434, Kuřim, Czech Republic

T +420 721 187 768

E petr.cermak@smartsels.com

W www.smartsels.com