

AT800 TOW



Features & Benefits

AT TOW AT800 TOW



AT800 TOW

AT TOW

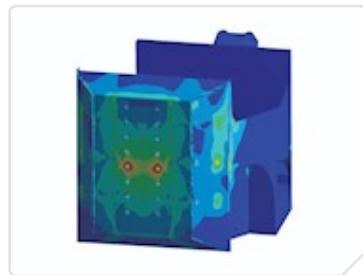
AT800 TOW for moving weights up to 8,000 kg

Battery



- Interchangeable
- Maintenance-free
- Battery monitoring system

Strong



- FEA tested steel chassis
- Impact resistant headset
- Zinc coated steel couplings

Powerful



- .Optional switchable steering mode
- Up to 8,000 kg load capacity
- 2 x 2.0 kW drive motor

Safety



- .Anti-crush button
- Automatic tiller cut off
- Emergency stop button

Traction



- .Self-weighted
- Optimised size, puncture-proof wheels
- Controlled start acceleration

Technical data

AT TOW AT800 TOW

Identification

Recommended load weight- Castors	8000 kg
Recommended load weight- Rails	32000 kg
Machine weight including battery	750 kg
Drive type	Electric AC
Drive motor power	2x 2.0 kW
Drive wheel type	Superelastic Solid Rubber
Parking brake	Electromagnetic
Operating voltage	24
Braking	Regenerative
Castor wheel type	Polyurethane
Controller type	AC
Variable machine speed	0-6kph
Noise level	≤80 dBA
Metal work finish	Powder coat paint & zinc plated
IP rating for the machine	IP44
Hydraulic oil specification	ISO Standard 32
Operating temperature range	-15 to 40 °C

Optional extras

Option - flashing safety light and motion bleeper
Option - two speed selector switch
Option - fifth wheel
Option - battery protection system - AT800 TOW
Option - wireless control handset

Male coupling

Coupling - male - height adjustable tow ball - 50mm
Coupling - male - height adjustable box
Coupling - male - adjustable towing arm
Coupling - male - pin

Female coupling

Coupling - female - box

Coupling options

AT TOW AT800 TOW

Z46-00603

Coupling - male - adjustable towing arm



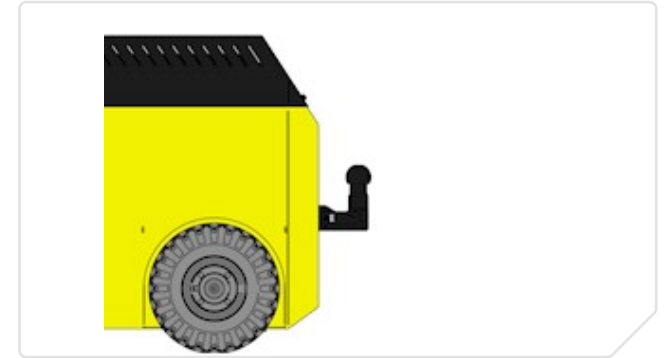
Z46-00604

Coupling - male - pin



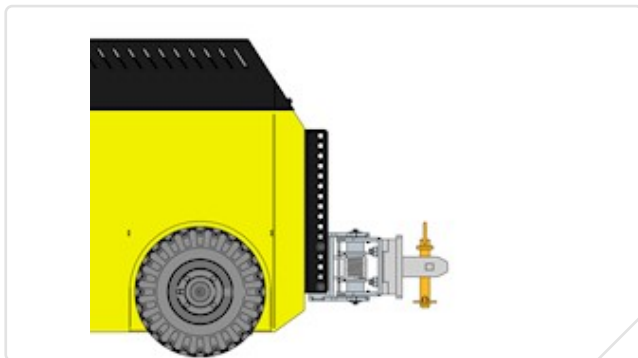
Z46-00601

Coupling - male - height adjustable tow ball - 50mm



Z46-00602

Coupling - male - height adjustable box



Find out more

Contact us today to find out which electric tug from MasterMover can help to improve efficiency and safety in your workplace.

For sales and support please contact:

SELS s.r.o.

K AMP 2025/2b
66434, Kuřim, Czech Republic

T +420 721 187 768

E petr.cermak@smartsels.com

W www.smartsels.com