

MasterMover®

Central Europe Electric Tug Solutions

ATP400



All

Terrain

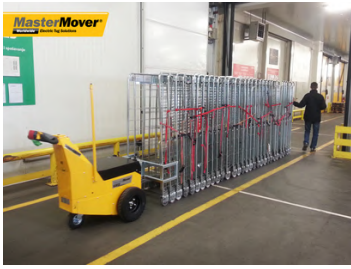
Pusher

**Electric Load Pusher |
The All Terrain Pusher**

The All Terrain Pusher ATP400 is designed to push wheeled loads, even if the floor surface is less than perfect. Whether it be a long train of roll cages or a huge load on rails, the ATP400 possesses more than enough power. A combination of its AC drive motor and high-torque gearbox provide that power whilst traction is achieved via a leverage system and chunky pneumatic wheels. A steel chassis gives the tug strength and a self-levelling castor is one of many safety features.

Industries

Suitable for use in a wide range of applications and sectors

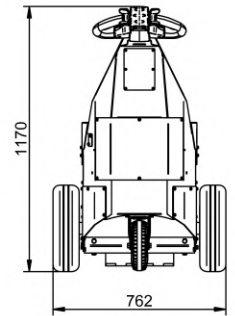
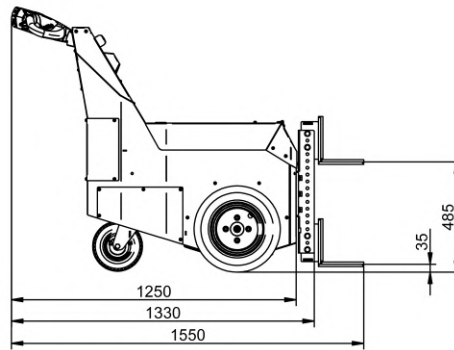
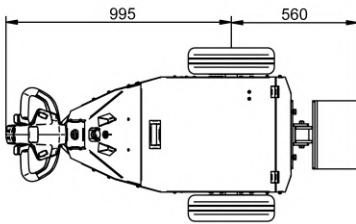


KeyBenefits

1 year full guarantee

- Battery monitoring system
- FEA tested steel chassis
- AC drive motor
- High-torque gearbox
- Self-levelling support castor
- Leveraged weight transfer

ProductDimensions



SafetyFeatures

See our website for full technical details



Anti-crush button



Emergency stop button



Warning horn

MaxLoadWeight

See our website for full technical details



Castors

Up to 5,000 kg*



Rails

Up to 80,000 kg*

*"Maximum load weight" is only a recommendation that we arrive at by estimating rolling resistance. Your environment and wheel type may affect this figure which is why we carry out a detailed technical evaluation on every project. All of our calculations include a "safe work load" factor to ensure safe operation in all circumstances.

Identification

Product code	ATP400
Recommended load weight - Castors	5000 kg
Recommended load weight - Rails	80000 kg
Machine weight including battery	350 kg
Drive type	Electric AC
Parking brake	Electromagnetic
Drive wheel type	Foam Filled
Drive motor power	2 kW
Controller type	AC
Variable machine speed	0.1 km/h - 5 km/h
Ingress Protection	IP44

Battery options

- Battery pack - sealed - 102Ah 24V - interchangeable
- Battery pack - sealed - 119Ah 24V - interchangeable

Charging options

- Charger - internal - 15A 24V - 85V - 265V
- Charger - external - 12.5A 24V - 110V-240V

Additional equipment

- Option - flashing safety light and motion bleeper
- Option - two speed selector switch
- Option - wireless control handset
- Option - wheel protectors

Male coupling options

- Coupling - height adjustable push plate - 90° (L shaped)
- Coupling - male - height adjustable box
- Coupling - Tetra
- Coupling - York
- Coupling - height adjustable push plate

Female coupling options

- Coupling - female - box

Contact Us

Find your local dealer here

To arrange a demonstration, or for further information about our electric tug material handling solutions, please contact us

K AMP 2025/2b, 664 34 Kuřim, Czech Republic

Telephone Sales: +420 721 187 768 **Email:** petr.cermak@smartsels.com

Fax: **Website:** www.mastermover.com



About Us

Located in Derbyshire, the UK's manufacturing hub, MasterMover is a British business success story with customers all over the world.

Our products are relied upon by market leading organisations and global brands across a broad cross-section of industries including Aerospace, Automotive, Pharmaceutical, Retail and Healthcare.



All Terrain Pusher ATP400