

MasterMover[®]

Central Europe Electric Tug Solutions



SM60 PLUS

Smart Mover

***Pedestrian Operated Tug |
SmartMover SM60 Plus***

The SM60 Plus a pedestrian operated tug designed for all industries. It's ideal for moving wheeled loads of various types on uneven surfaces. If you have a High-Tech vessel or a simple trolley to move, this pedestrian operated tug will provide the power you need. The flexible attachment connects so it can safely retain the load and with variable speed and auto stop as standard, our pedestrian operated tugs have never been so safe and efficient.

Smartmover Plus Sm60 Plus

Moves Up To 800 kg

Application Solutions

Suitable for use in a wide range of applications and sectors



Retail and Logistics



Automotive and Commercial vehicles



Retail and Logistics



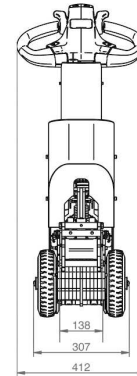
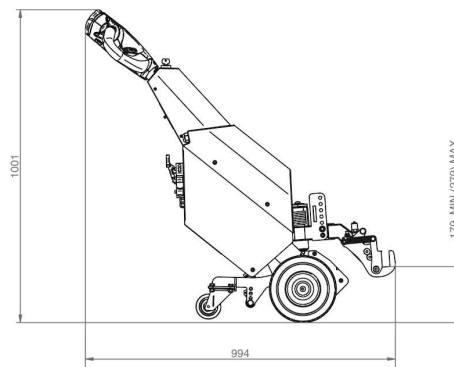
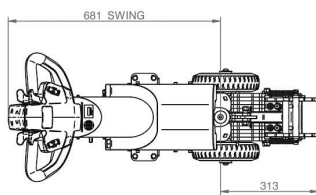
Food and Beverage

Key Benefits

1 year full guarantee

- Very easy to use electric hand truck
- Compact size for space restricted environments
- Reduces risk to employees
- Tug Turns at 90 degrees
- Effective connection method
- Works on uneven surfaces and slopes
- Stops and controls the load

Product Dimensions



Safety Features

See our website for full technical details



Support wheels for operator safety



Auto braking for pedestrian operator safety



Variable speed with emergency stop

MaxLoadWeight

See our website for full technical details



Castors

Up to 800 kg*



Rails

Up to 3200 kg*

*"Maximum load weight" is only a recommendation that we arrive at by estimating rolling resistance. Your environment and wheel type may affect this figure which is why we carry out a detailed technical evaluation on every project. All of our calculations include a "safe work load" factor to ensure safe operation in all circumstances.

Identification

Product	SM60 Plus Hydraulic
Recommended load weight - Castors	800 kg
Recommended load weight - Rails	3,200 kg
Machine weight (excluding battery)	80 kg
Drive type	Electric DC
Braking	Regenerative
Parking brake	Electromagnetic
Drive wheel type	Rubber Non marking
Drive motor power	2x0.22 Kw
Controller type	70 DC Permanent

To arrange a demonstration, or for further information about our electric tug material handling solutions, please contact us

Blanenská 1308/113, 664 34 Kuřim, Czech Republic

Telephone Sales: +420 721 187 768 **Email:** petr.cermak@smartsels.com

Website: www.mastermover.com



AboutUs

MasterMover is the award-winning manufacturer of pedestrian electric tugs and widely recognised as a market leader in providing solutions for moving wheeled loads from 50 kg to 120,000 kg. Since the company's inception in 1995 MasterMover have provided handling solutions to some of the biggest brand names in industry, both nationally and globally. Today MasterMover has a portfolio of 18 electric tug models, all designed to safely and efficiently transport wheeled loads. Deployed across the World, MasterMover electric tugs are used within a range of industries in the UK, Mainland Europe, Asia, Australia and also North and South America. The Derbyshire-based company is committed to design and manufacturing, and employs skilled people, many of whom live locally.

