

AT1000 TOW



Features & Benefits

AT TOW AT1000 TOW



AT1000 TOW

AT TOW

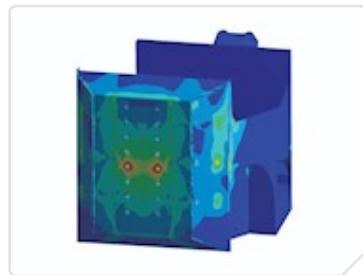
AT1000 TOW

Battery



- Interchangeable
- Maintenance-free
- Battery monitoring system

Strong



- FEA tested steel chassis
- Impact resistant headset
- Zinc coated steel couplings

Powerful



- Optional switchable steering mode
- Up to 10,000 kg load capacity
- 2x 2kW drive motor

Safety



- Anti-crush button
- Automatic tiller cut off
- Emergency stop button

Traction



- Self-weighted
- Optimised size, puncture-proof wheels
- Controlled start acceleration

Technical data

AT TOW AT1000 TOW

Identification

Recommended load weight- Castors	10000 kg
Recommended load weight- Rails	40000 kg
Machine weight including battery	1070 kg
Drive type	Electric AC
Drive motor power	2 x 2.0 kW
Drive wheel type	Superelastic Solid Rubber
Parking brake	Electromagnetic
Operating voltage	24
Braking	Regenerative
Castor wheel type	Polyurethane
Controller type	AC
Variable machine speed	0-6kph
Noise level	≤80 dBA

Battery options

- Battery pack - sealed - 204Ah 24V - interchangeable
- Battery pack - sealed - 179Ah 24V - interchangeable
- Battery pack - lithium - 158Ah 24V - fixed

Charging option

- Charger - external - 30A 24V - 85V-265V
- Charger - internal - 20A 24V - 85V-265V
- Charger - lithium - external - 40A - 24V - 85V-265V

Optional extras

- Option - flashing safety light and motion bleeper
- Option - two speed selector switch
- Option - fifth wheel
- Option - battery protection system - AT1000 TOW
- Option - wireless control handset

Male coupling

- Coupling - male - height adjustable tow ball - 50mm
- Coupling - male - height adjustable box
- Coupling - male - adjustable towing arm

Female coupling

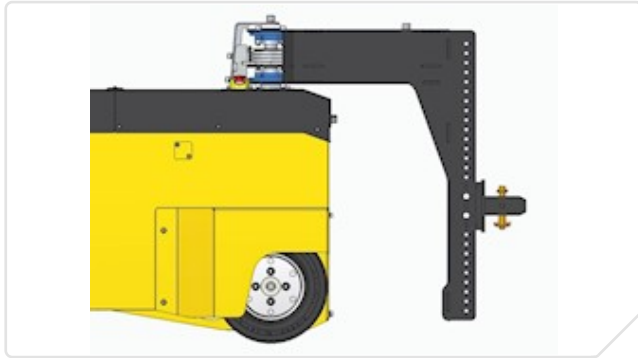
- Coupling - female - box

Coupling options

AT TOW AT1000 TOW

Z47-00602

Coupling - male - height adjustable box



Z47-00603

Coupling - male - adjustable towing arm



Z47-00604

Coupling - male - pin



Z47-00700

Coupling - female - box



Find out **more**

Contact us today to find out which electric tug from MasterMover can help to improve efficiency and safety in your workplace.

For sales and support please contact:

SELS s.r.o.

K AMP 2025/2b
66434, Kuřim, Czech Republic

T +420 721 187 768

E petr.cermak@smartsels.com

W www.smartsels.com